

Relay Module

KFD0-RO-2

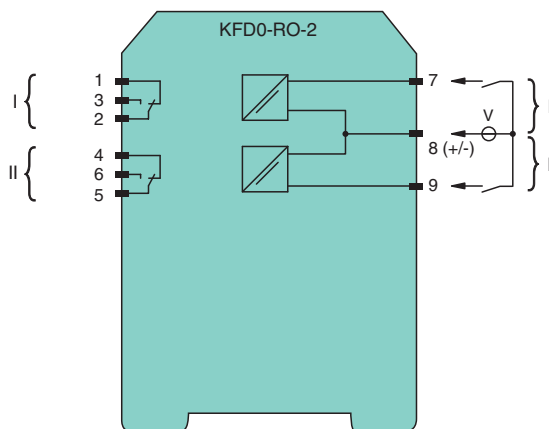
- 2-channel signal conditioner
- 24 V DC supply (loop powered)
- Logic input 15 V DC ... 30 V DC, non-polarized
- Relay contact output
- Up to SIL 3 acc. to IEC/EN 61508

CE SIL3

Function

This signal conditioner provides the galvanic isolation between field circuits and control circuits. The device switches circuits on the field side. Typical applications for the use of the device are remote reset, fire alarm testing or remote calibration of strain gauges. The outputs are galvanically isolated to the inputs. The inputs are not polarized and share a common reference potential. Each input of the device is protected by a fuse and an electronic current limiting.

Connection



Technical Data

General specifications

Signal type Digital Output

Functional safety related parameters

Safety Integrity Level (SIL) SIL 3

Supply

Rated voltage U_r loop powered

Power dissipation 0.8 W

Input

Connection side control side

Connection terminals 7, 8, 9

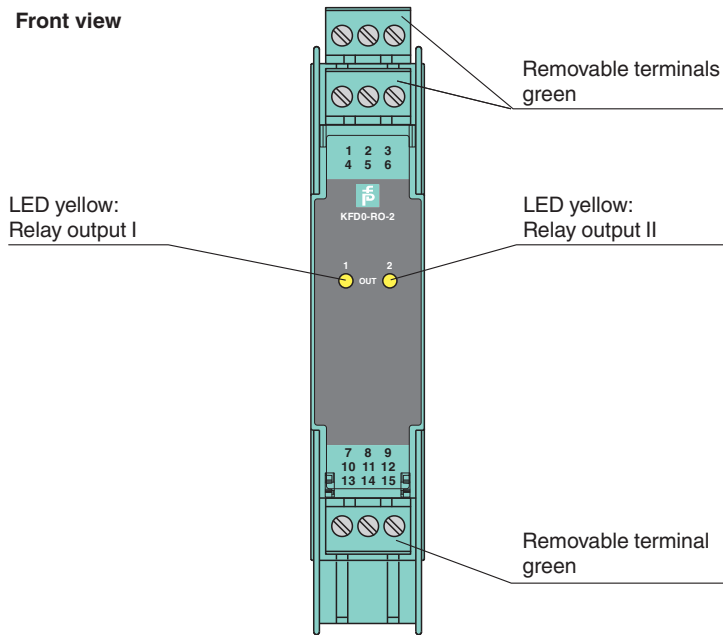
Input voltage 15 ... 30 V DC

Technical Data

Input current	≤ 21 mA per channel
Output	
Connection side	field side
Connection	terminals 1, 2, 3; 4, 5, 6
Contact loading	230 V AC/4 A/cos φ > 0.7; 30 V DC/4 A resistive load
Energized/De-energized delay	approx. 10 ms / approx. 5 ms
Mechanical life	5 x 10 ⁶ switching cycles
Electrical life	10 ⁵ switching cycles , at maximum load
Transfer characteristics	
Switching frequency	< 10 Hz
Galvanic isolation	
Input/Output	reinforced insulation according to IEC/EN 61010-1, rated insulation voltage 300 V _{eff}
Output/Output	basic insulation according to IEC/EN 61010-1, rated insulation voltage 300 V _{eff}
Indicators/settings	
Display elements	LEDs
Labeling	space for labeling at the front
Directive conformity	
Electromagnetic compatibility	
Directive 2014/30/EU	EN 61326-1:2013 (industrial locations)
Low voltage	
Directive 2014/35/EU	EN 61010-1:2010
Conformity	
Electromagnetic compatibility	NE 21:2006
Degree of protection	IEC 60529:2001
Ambient conditions	
Ambient temperature	-20 ... 65 °C (-4 ... 149 °F)
Mechanical specifications	
Degree of protection	IP20
Connection	screw terminals
Mass	approx. 100 g
Dimensions	20 x 119 x 115 mm (0.8 x 4.7 x 4.5 inch) (W x H x D) , housing type B2
Mounting	on 35 mm DIN mounting rail acc. to EN 60715:2001
General information	
Supplementary information	Observe the certificates, declarations of conformity, instruction manuals, and manuals where applicable. For information see www.pepperl-fuchs.com .

Assembly

Front view



Removable terminals green

LED yellow:
Relay output I

LED yellow:
Relay output II

Removable terminal green

Matching System Components

	K-DUCT-GY	Profile rail, wiring comb field side, gray
--	------------------	--

Accessories

	KF-ST-5GN	Terminal block for KF modules, 3-pin screw terminal, green
	KF-CP	Red coding pins, packaging unit: 20 x 6

Release date: 2021-12-20 Date of issue: 2021-12-20 Filename: 247196_eng.pdf

Refer to "General Notes Relating to Pepperl+Fuchs Product Information".

Pepperl+Fuchs Group
www.pepperl-fuchs.com

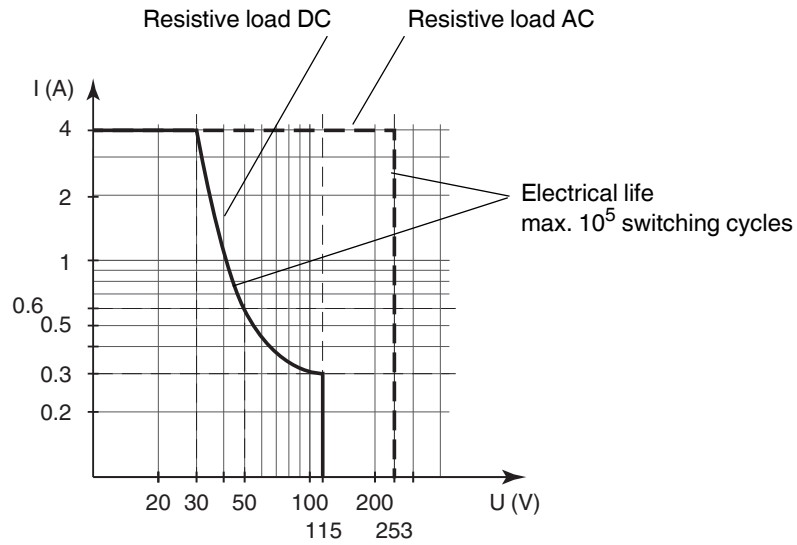
USA: +1 330 486 0002
pa-info@us.pepperl-fuchs.com

Germany: +49 621 776 2222
pa-info@de.pepperl-fuchs.com

Singapore: +65 6779 9091
pa-info@sg.pepperl-fuchs.com

Characteristic Curve

Maximum switching power of output contacts



The maximum number of switching cycles is depending on the electrical load and may be higher when reduced currents and voltages are applied.

Release date: 2021-12-20 Date of issue: 2021-12-20 Filename: 247196_eng.pdf